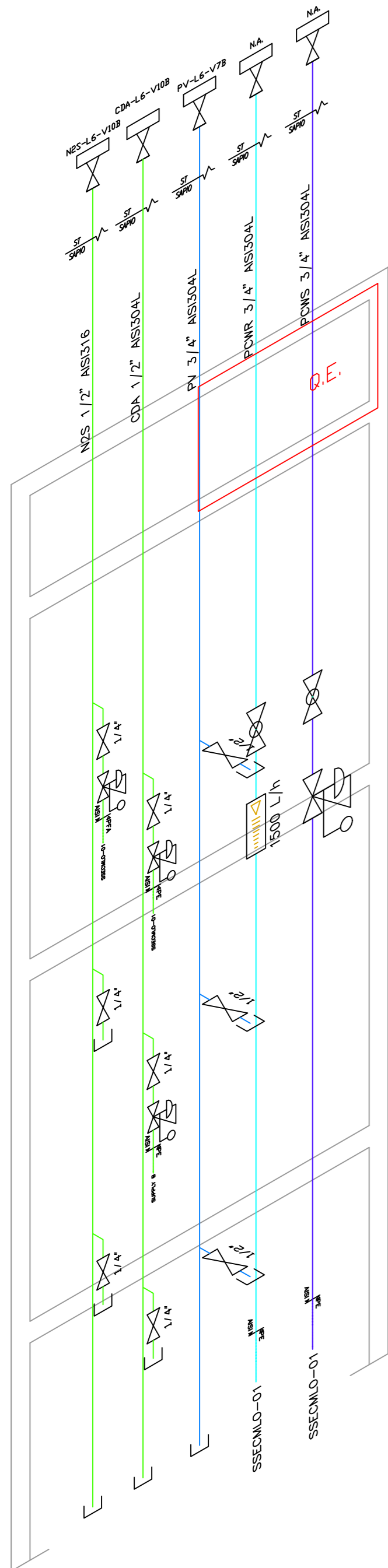
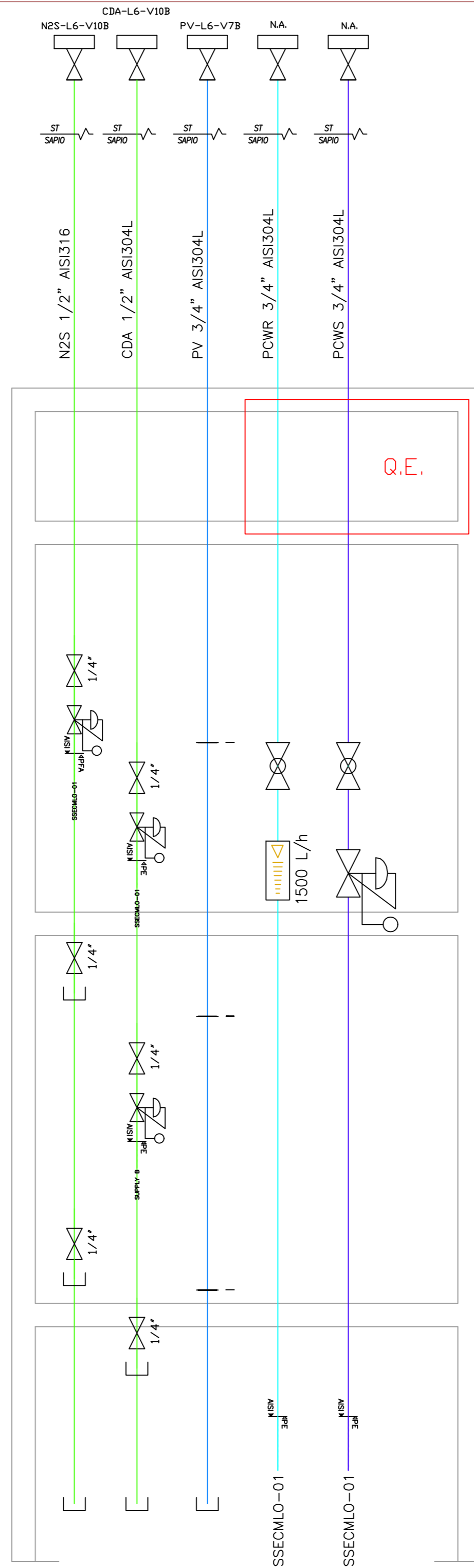


FACILITY PANEL - SSECMLD-01

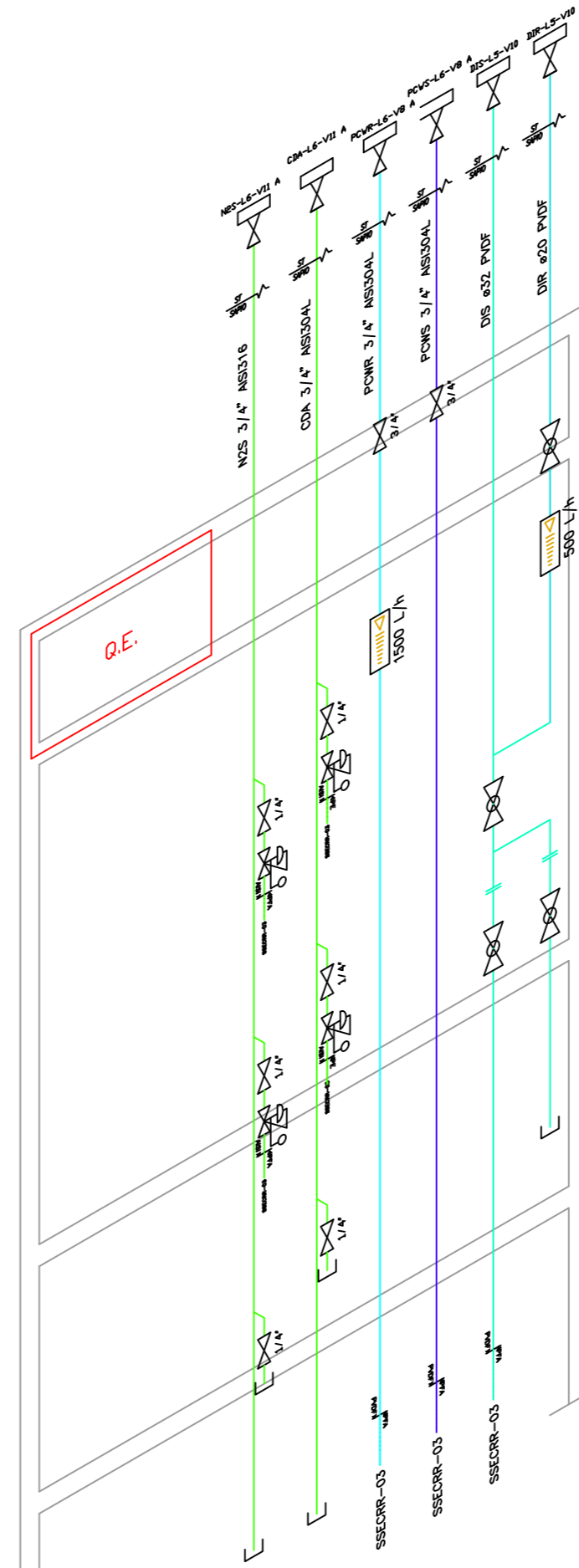


SCALA 1:7

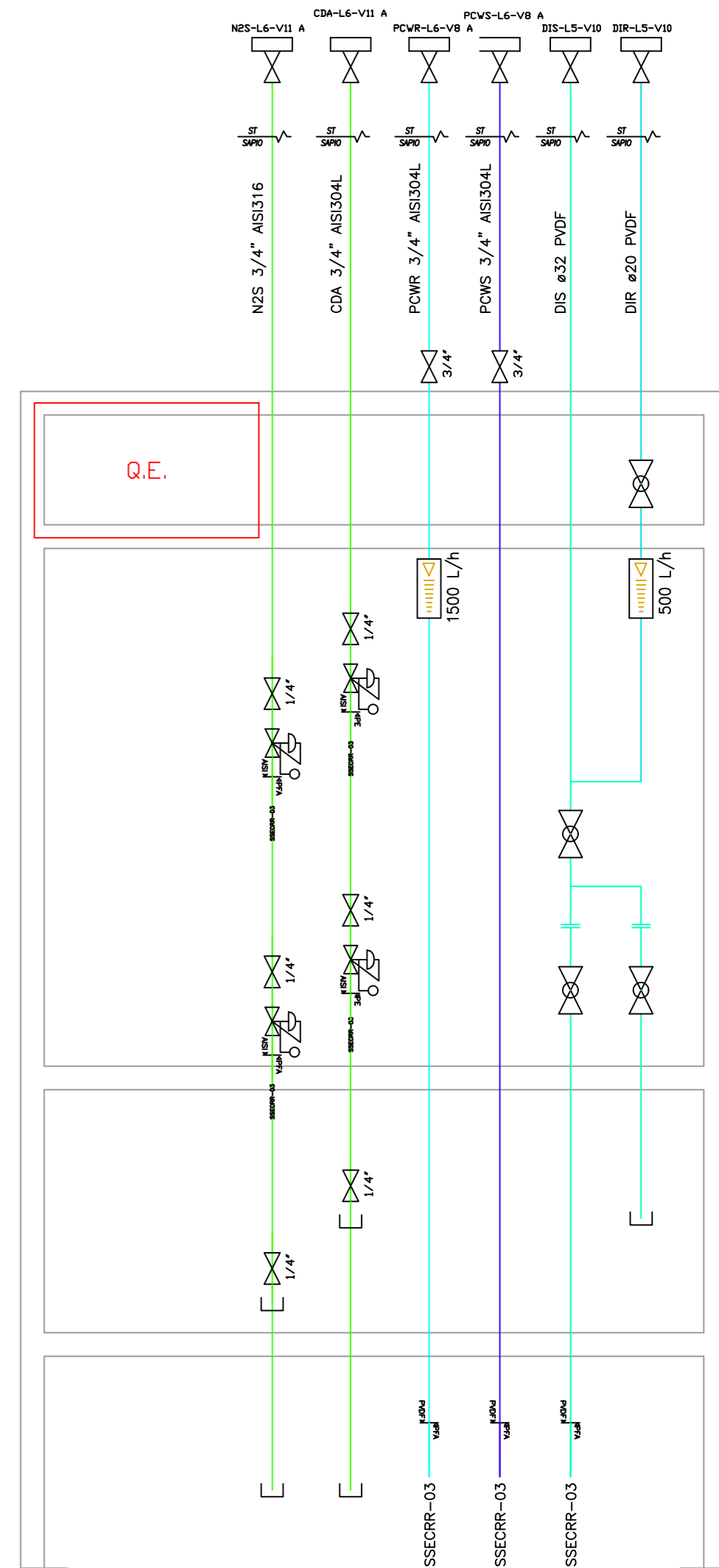
FACILITY PANEL - SSECMLD-01



FACILITY PANEL - SSECRR-03



FACILITY PANEL - SSECRR-03



REV0	05/06/2021	FACILITY PANEL	MAGGIONI E.	PACE R.	PACE R.
REV	DATE	Description	Prepared	Check	Approved



Address: A.Modigliani-Cornate d'Adda-20872-(MB)  
 Phone: + 039 69 56 323  
 Mobile: + 39 3383652438  
 @: info@prtechnology.it  
 Web Site: www.prtechnology.it

PROJECT NAME	DWG N°	E-PR21-019	2D	A2
	JOB N°	21/042		
CLIENT :	PAGE N°	1/2	SCALE :	N.A.
	DATE :	05/06/2021	DRAWING :	PR_TECHNOLOGY_SRL